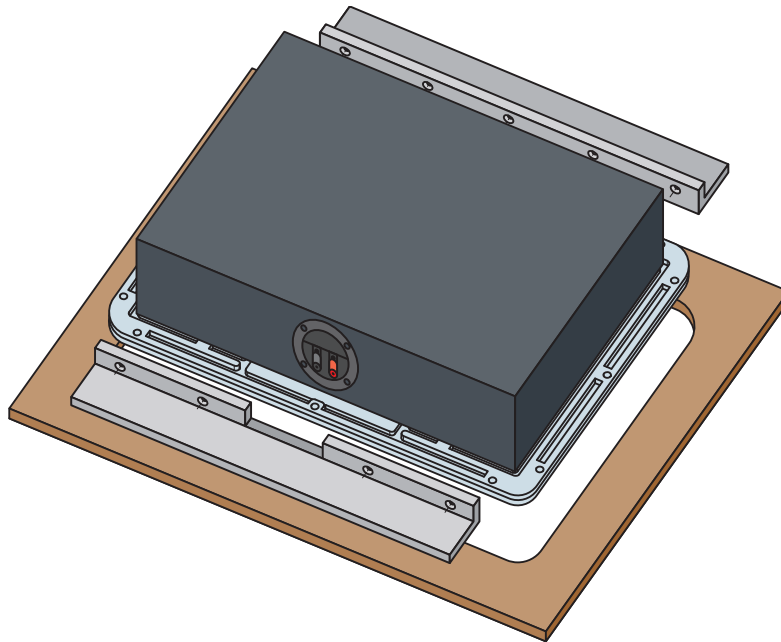


# STEALTH



## STINGRAY SOFFIT SPEAKER KIT INSTALLATION



Replace speakers with rusty grilles.

Use template to cut opening.

Pre-drill holes then screw in place.

Caulk then paint for invisible installation.

Perfect for applications where wide coverage, full range sound, environmental durability, and an invisible installation are desired, StingRay Soffit Kit speakers offer powerful advantages over traditional outdoor speakers. They feature Stealth's proprietary Fidelity Glass™ radiating diaphragm technology that generates near-hemispherical sound dispersion while also making the speakers extremely durable and impenetrable to the elements.

Stealth Acoustics StingRay Soffit Kit invisible speakers are full-range, high-fidelity, outdoor speakers. They incorporate a specialized StingRay 8 or StingRay X83 speaker with an integrated back box, flush mounting hardware, and a router template for cutting a precise opening. The Soffit Kit speakers are designed to be primed, painted, and finished into the surrounding soffit for a completely invisible installation.

Replace ugly conventional speakers that deteriorate in the elements with Stealth Acoustics Soffit Kit invisible speakers for high performance, clean aesthetics, and lasting results.

**No more rusty grilles!**

The two-way **StingRay 8 Soffit Kit** invisible speaker incorporates an acoustically coupled, high-power, 8" cone woofer and a direct coupled 30 mm neo-magnet high-frequency driver providing smooth response from 45Hz to 18 kHz.

The three-way **StingRay X83 Soffit Kit** invisible speaker incorporates an acoustically coupled, high-power, 8" cone woofer, a direct coupled 30 mm neo-magnet mid-frequency driver, and a direct coupled 25 mm neo-magnet high-frequency driver providing smooth response from 40Hz to 20 kHz.

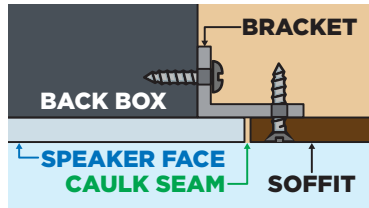
Both speakers contain independent self-resetting protection circuits (high-, mid-, and low-frequency sections) for protection from excessive amplifier power.

Stealth Acoustics StingRay Soffit Kit speakers are covered by a 20-year manufacturer's warranty.

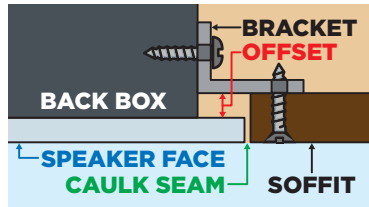
1. Locate the area of the soffit where the StingRay Soffit Speaker will be installed. The use of a stud finder and pilot holes will help to identify framing and potential obstacles that may be hidden behind the soffit siding.



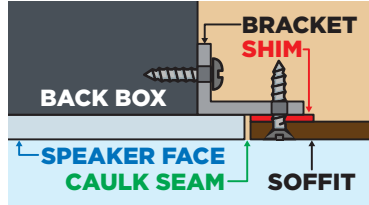
2. Position the router template in the desired installation location and attach it securely to the underside of the soffit. If using screws, be sure to counter-sink the screw heads to prevent interference with the router. The router template is designed to work with a straight, top bearing flush trim router bit and will cut an exact opening just large enough for the speaker.
3. Remove the template, prepare the speaker wiring, and clear away any dust or debris from around the inside of the opening before installing the speaker into the hole.
4. Two aluminum brackets are provided which will support the speaker in the opening. Before attaching the brackets to the speaker back box, measure the thickness of the surrounding soffit material and refer to the next steps for proper positioning.



- a. If the soffit material is 1/2" thick, screw the brackets to the back box flush against the rear of the speaker.

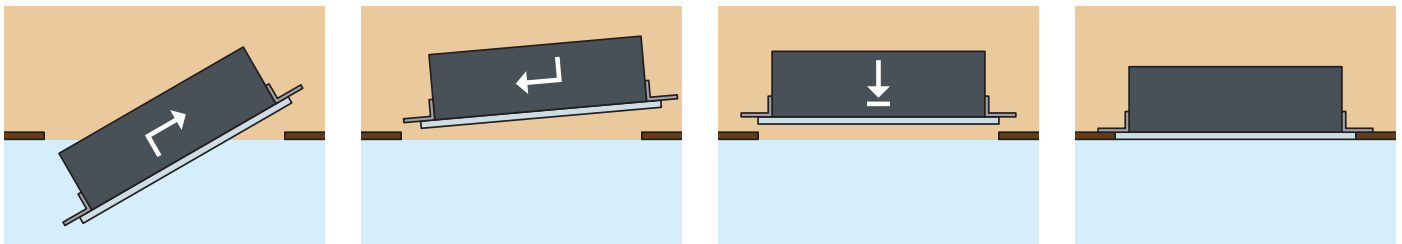


- b. If the material is thicker than 1/2", offset the aluminum brackets away from the rear of the speaker enough so the speaker will rest flush with the outer soffit.



- c. If the soffit material is less than 1/2" thick, install the brackets to the back box flush against the rear of the speaker and add shim material between the bracket and soffit as necessary.

5. Hold speaker near opening and attach the speaker wire to the speaker terminals noting proper polarity before installing into the soffit.
6. Lift the entire speaker at an angle putting one long edge into the opening far enough so the trailing bracket can clear the lip of the opening. Level the speaker, align it with the opening and lower into place. (See Illustration 4.)
7. Check for a flush fit. Adjust aluminum brackets and/or shims as necessary.
8. Before proceeding with any finishing, test each speaker with an amplified sound source. Test with music at listening volume in addition to test tones to ensure full functionality. Make note of sound coming from high/mid, and low frequency drivers of each speaker.
9. Drill screw holes through the soffit and aluminum bracket on each long edge of the speaker before attaching in place with screws. Pilot holes are necessary to allow screws to penetrate the aluminum bracket and secure the speaker into place.
10. Apply paintable caulking to seal the perimeter of the speaker to prevent water from seeping into the soffit. Allow caulking to cure completely before painting.
11. Prime and paint the speaker to match the soffit. Do not allow more than a 1/16" (2mm) buildup of any material on the speaker face.



**Illustration 4:** Lift speaker at an angle far enough so the trailing bracket can clear the lip of the opening. Level the speaker, align it with the opening and lower into place.