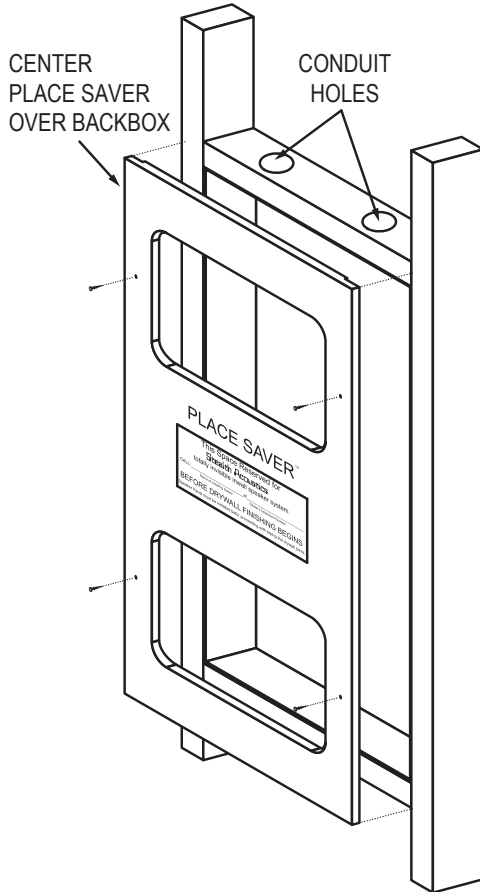


STEALTH

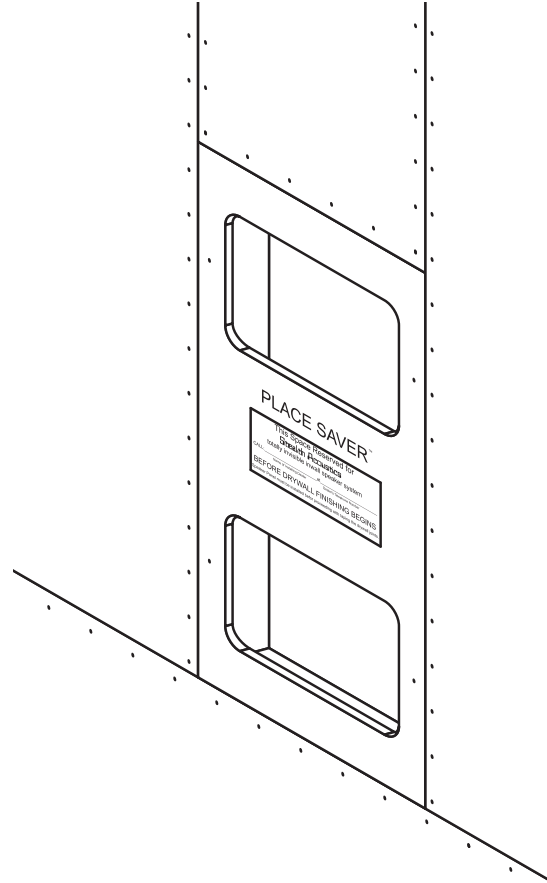
PLACE SAVER

PRE-INSTALL BRACKET

PLACESAVER™ PRE-INSTALLATION BRACKETS



The PlaceSaver™ mounts over back box to ensure proper rough opening



After wallboard is in place, remove PlaceSaver™ and install speaker

PlaceSavers™ are for temporary use in new construction. The greatest exposure to damage occurs from the time the Stealth Acoustics speaker panels are first mounted to the structural framing and when the taping begins. PlaceSavers™ keep this exposure to a minimum by reducing the speaker panels exposure on the construction site.

PlaceSavers™ are built from 1/2" MDF and are sized slightly larger than the speaker panel it is reserving space for. This ensures that no matter how tight the drywall is hung to the PlaceSaver™, the speaker panel will easily drop into place when the PlaceSaver™ is removed. The

PlaceSavers™ have 1/8" deep x 7/8" wide grooves on the back side that match the mounting flanges on the Stealth Acoustics speaker panels. This ensures that if the PlaceSaver™ is centered properly on the structural framing the speaker panel will be also.

PlaceSavers™ should be installed at the pre-wire stage and replaced with the speaker panel just before drywall seam finishing begins. PlaceSavers™ have labels on the front with space to write in the Stealth Acoustics dealer name and phone number. They are packaged 6 per carton and come with mounting screws. PlaceSavers™ are re-usable.

Model	Fits Speakers
PS-30	L-RAD 430, LRX-85-LF, B30G
PS-22	LRX-83, LR8G, SLR8G, B22G
PS-16	L-RAD 116
PS-12	LRX-85-HM, LR6G