

STINGRAY INSTALLATION INSTRUCTIONS

Mounting and Orientation Options

There are several mounting orientations and angles possible with the use of the included mounting bracket. You may elect to mount the speaker in a horizontal or vertical orientation and you may also elect to hang the speaker flat against the wall, in an upward firing configuration, or in a downward firing configuration if mounting under-eave or at height. The bracket may also be used as a leg for floor or shelf standing positioning.

Additional mounting accessories are available (see next page).

Installation and Mounting Instructions

1. Determine desired mounting location, speaker orientation, and firing angle. Using the supplied mounting bracket, mark the screw key-holes on the mounting surface (wall).
2. Screw the mounting bracket to mounting surface (wall) taking care to allow the release of the bracket via the key-slots. Be sure to use appropriate screws and/or screw anchors for your installation. Try to mount directly to solid wall framing when possible.
3. Remove the bracket from the wall via key-slots. Based on the desired mounting orientation, use the supplied screws to attach the bracket to the appropriate mounting position on the rear of the speaker. Align the screw holes in the bracket with the provided screw holes on the back of the speaker. Note that one side of the bracket has a counter-sink to allow the screw head to recess flush with the bracket. Do not over-tighten screws.
4. Hang speaker on wall using the key-slots of the mounting bracket.

Wiring:

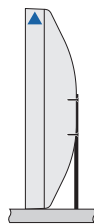
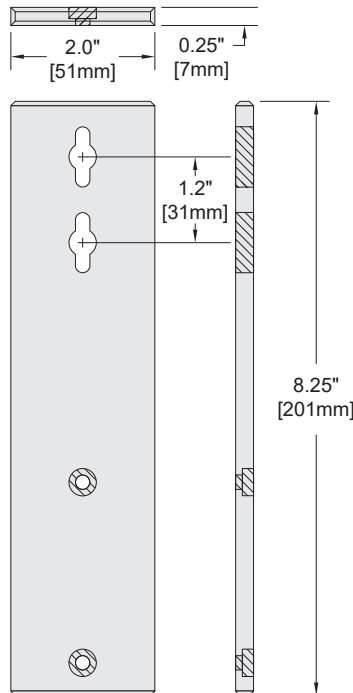
After crimping the speaker wires in the connector, use heat gun to heat the connector making the connection watertight.

Finishing:

The StingRay may be painted or vinyl wrapped. Take care that the material thickness on the front of the speaker does not exceed 1/16" (1.5 mm)

Standard Mounting Bracket

INCLUDED - 2" × 8.25" × 0.25"
[51mm × 210mm × 7mm]



The included Keyhole Mounting Bracket can be used to support a free-standing speaker.

Included Components:

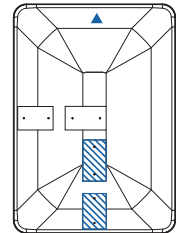
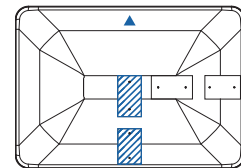
- Keyhole Mounting Bracket (white/black powder coated aluminum)
- Mounting Screws (#10 x 3/4")
- Wire Connector (wire nuts / heat shrink crimp connectors)

Optional Accessories:

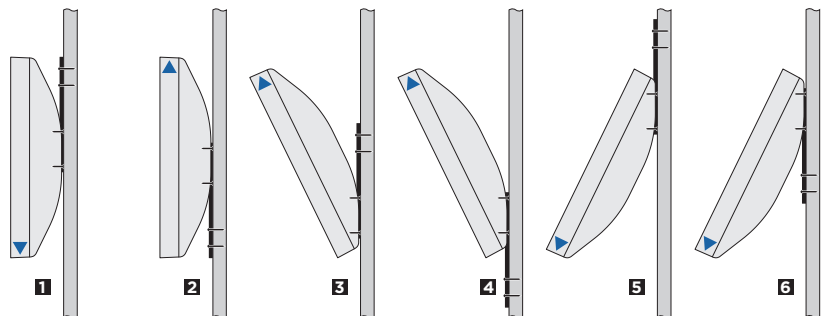
- Ground Stake (SRGSTK)
- Adjustable Mount (SRSM-33)
- Heavy Duty U Bracket (SRUB)

Please Note:

- Do not mount the bracket anywhere other than in one of the four predetermined locations on the rear of the speaker.
- Ensure that the provided screws are only being inserted into the screw holes on the speaker.
- NEVER use screws longer than the ones provided (3/4")



▲ Blue arrows indicate artwork alignment for optional custom vinyl wrapped speakers. Blue shading indicates mounting points for horizontal or vertical speaker orientation.



The StingRay can be mounted in several positions using one of the four bracket attachment locations (shaded areas above).

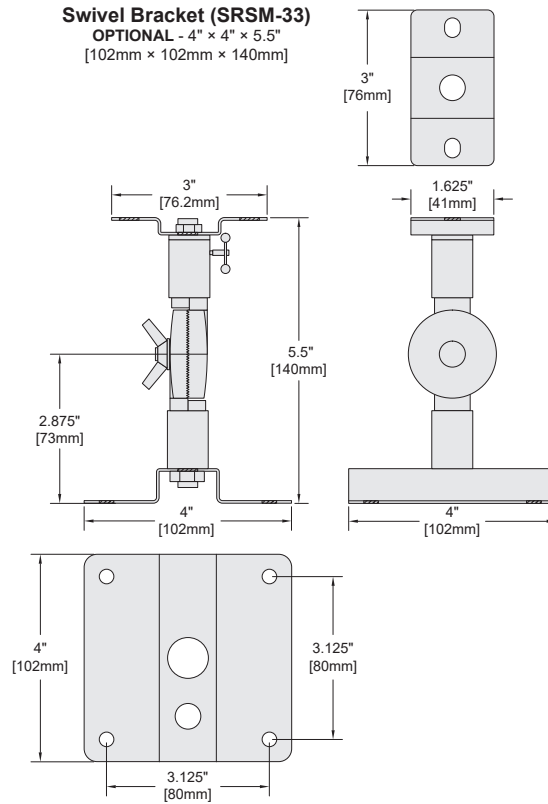
- Horizontal or vertical speaker orientation
- Straight, downward, or upward firing angle
- Mounting bracket positioned above or below

For additional mounting installation flexibility, several optional mounting brackets are available. The swivel mount (SRSM-33, black finish) may be used to achieve multiple firing positions. Use the ground stake (SRGSTK, aluminum finish) for landscape installations or the heavy duty U-bracket (SRUB, white/black powder coated aluminum) when extra stability is required.

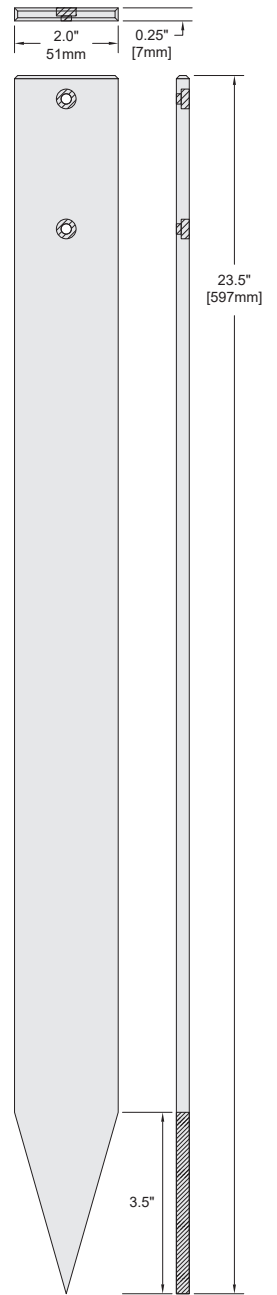
Please Note:

- If using the Swivel Bracket (optional) or another third party accessory, ensure that the screws are only being inserted into the screw holes provided on the speaker.
- If using the Ground Stake (optional): Use a block of wood between the mallet and the stake so as not to damage the top of the stake while driving it into the ground. Attach the speaker to the stake using only the included screws. Pushing the stake into the ground with the speaker attached is not recommended and may result in damage to the speaker housing.

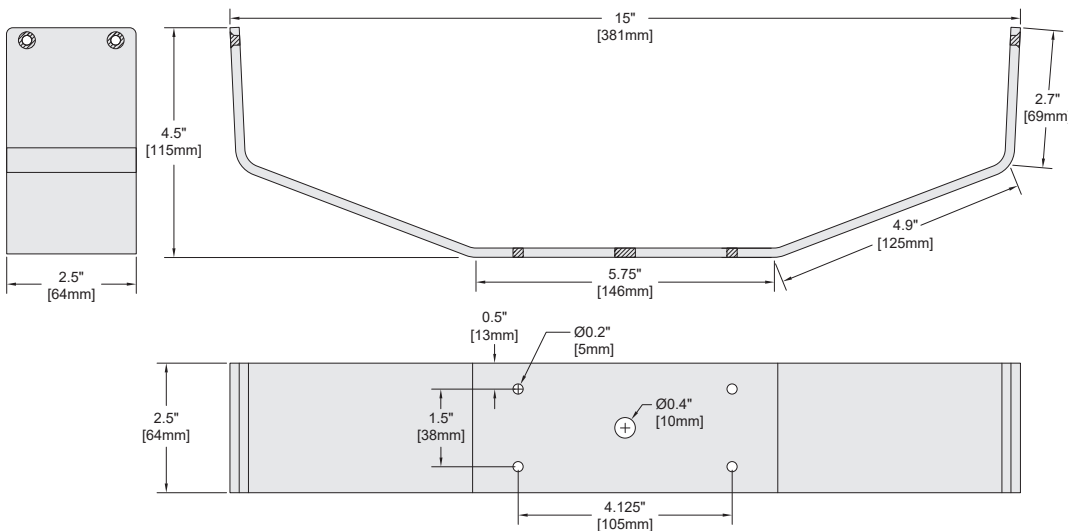
Swivel Bracket (SRSM-33)
OPTIONAL - 4" x 4" x 5.5"
[102mm x 102mm x 140mm]



Ground Stake (SRGSTK)
OPTIONAL - 2" x 8.25" x 0.25"
[51mm x 597mm x 7mm]



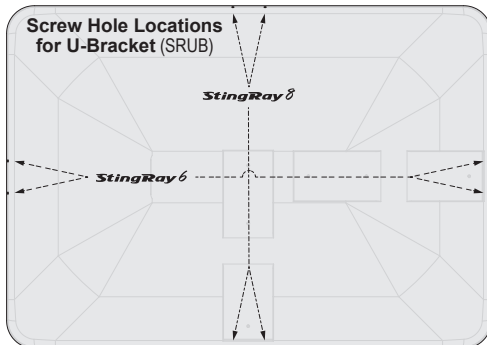
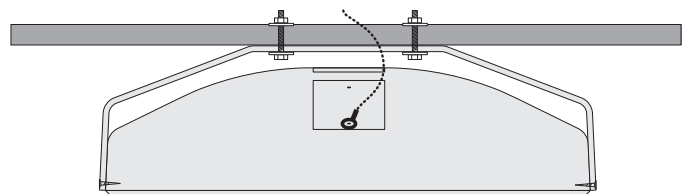
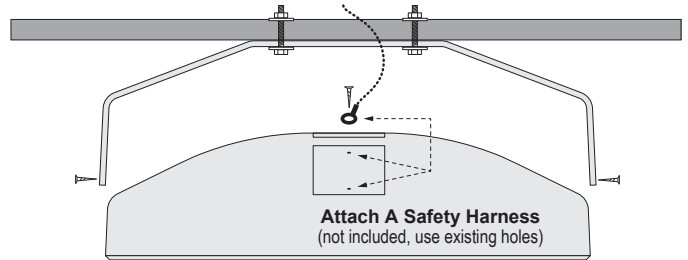
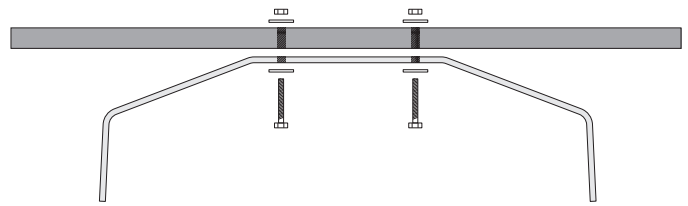
"U" Bracket (SRUB)
OPTIONAL - 2.5" x 15" x 4.5"
[64mm x 381mm x 115mm]



Mounting Instructions

The StingRay offers multiple mounting options, the most robust of which is the U-Bracket. The U-Bracket mount fits both the Stingray 8 and Stingray 6 and utilizes the screws that are pre-installed on the edge of the speaker.

1. Locate a secure place to install the bracket using either (4x) through bolts (1/4-20) or lag bolts (hardware not included.) The 0.4" center hole is intended for the speaker wire to pass through.
2. Remove the 2 screws from either end of the speaker (4 screws total) using a Phillips head screw driver. Save these as they will be reused when attaching the bracket.
3. **To prevent potential injury in overhead applications a safety harness should always be used** (harness not included.) Use the #10 x 3/4" screws that are provided with the speaker to attach the harness to one of the pre-drilled holes in the rear of the speaker.
4. Position the StingRay to align bracket holes with the screw holes on the sides of the speaker. After the bracket is aligned, reinsert the screws. **DO NOT OVER-TIGHTEN.**



"U" Bracket (SRUB)
OPTIONAL - 2.5" x 15" x 4.5"
[64mm x 381mm x 115mm]

